

The TWISTMASTER has landed and is the latest addition to our patented ROLLMASTER420 Series. Designed to be either a standalone device or easily integrated into any existing / new ROLLMASTER420 configuration.

The TwistMaster is the only modular pre-roll twisting machine designed to mimic a hand twisted pre-roll. The machine tamps, twists, and cuts up to 2,400 pre-rolls an hour. The modular design allows for easy scalability and compatibility with the industry leading RollMaster 420. The system is recipe driven with PLC controlled servos that allows for a high precision twist no matter the cone size. The TwistMaster uses heavy duty stainless steel & aluminum construction with food grade materials.



## PRODUCT FEATURES

- Self-contained system promotes health and safety, mitigates contaminants and prevents environmental disturbances
- 360° Lexan access doors with safety sensors; Easily load new or existing tins using the built-in guide rails and ergonomic load bay
- All cones are automatically tamped from the top to finalize a consistent pack and ensure a tight twist
- Automatically transfers final pre-roll from cassette to dedicated twisting area
- Precisely controlled rotary grippers gently twist the pre-roll to ensure a tight twist without ripping
- Industrial grade pneumatic scissors with auto vacuum provides a clean cut with no tear and no mess
- Automatically transfer finished pre-roll into stainless steel collection bin - ready to package & ship

## QUALITY & PERFORMANCE

- 40 Joints / Minute
- Fully automatic system for consistent pre-roll production
- All movement is servo driven via recipes to accommodate multiple pre-roll sizes
- Intuitive control interface with recipe selection
- Industrial grade Windows HMI driven by Allen Bradley PLC
- Festo Pneumatics
- Integrated control cabinet

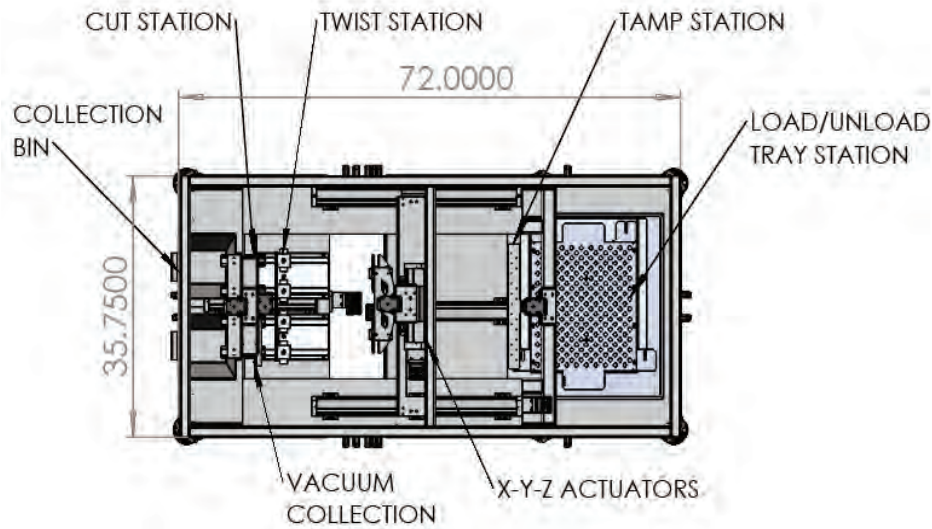
MADE IN THE USA 



**CONTACT +1 805 487-0403** INFO@ACTIONPACUSA.COM  
**ACTIONPAC** 270 QUAIL CT #100A SANTA PAULA, CA 93060  
**ACTIONPACUSA.COM** TM420\_111422

© 2022 All rights reserved. The AP and ActionPac logos are registered trademarks of ActionPac.





### UTILITY REQUIREMENTS

**POWER**  
115 VAC, 10A

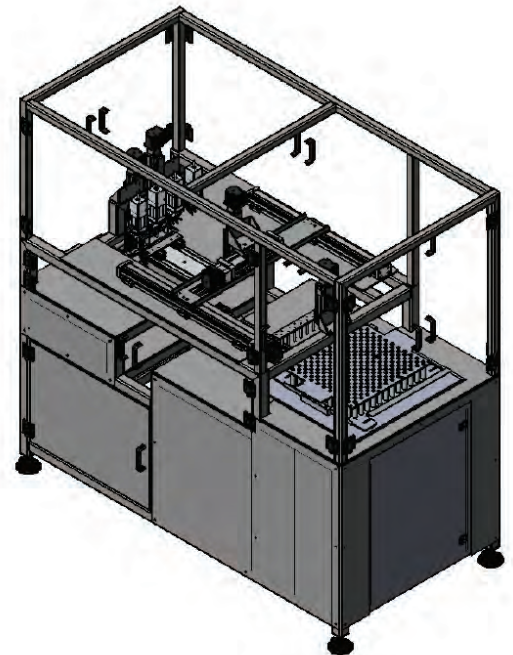
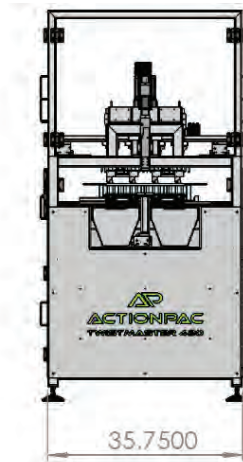
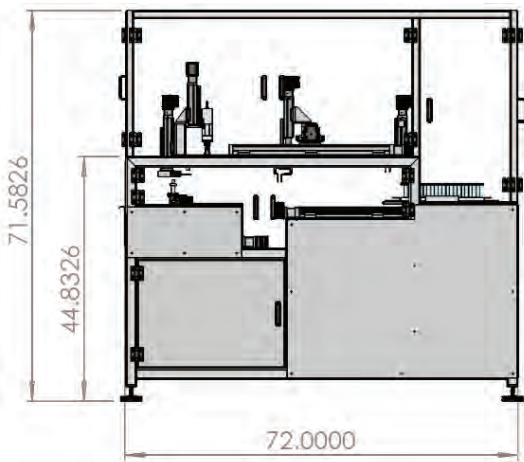
**AIR**  
5 CFM

### OPERATING REQUIREMENTS

Single Operator

Recipe Driven Change Over for any Pre-Roll

Manual Cassette Loading / Unloading



MADE IN THE USA



**CONTACT +1 805 487-0403** INFO@ACTIONPACUSA.COM  
**ACTIONPAC** 270 QUAIL CT #100A SANTA PAULA, CA 93060  
**ACTIONPACUSA.COM** TM420\_111422

© 2022 All rights reserved. The AP and ActionPac logos are registered trademarks of ActionPac.